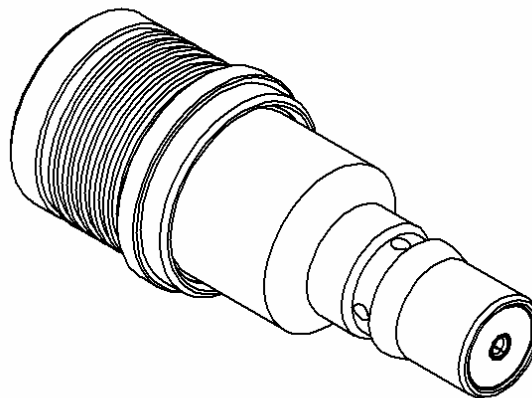
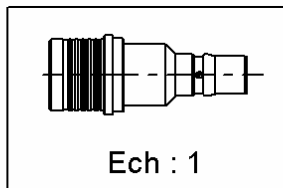
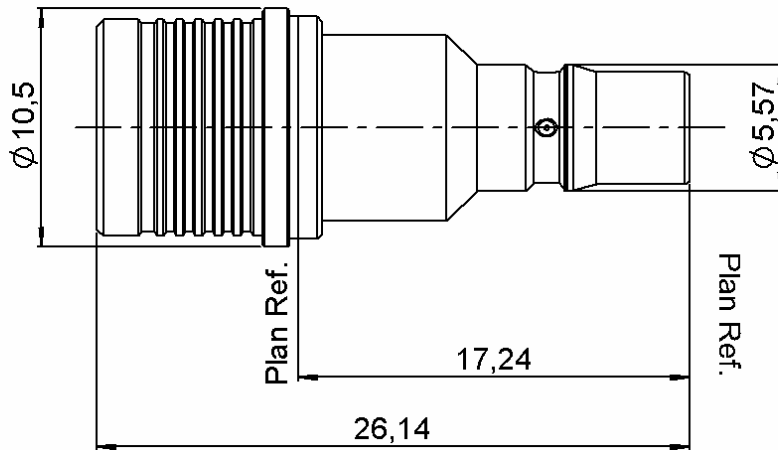


**6GHZ 1W 2DB QMA ATTENUATOR**

**R411.702.124**

Series :  
**ATTENUATEUR**



All dimensions are in mm.

COMPONENTS	MATERIALS	PLATING( $\mu\text{m}$ )
BODY	BRASS	BBR 2
MALE CENTER CONTACT	BRASS	GOLD 1.3 OVER COPPER 2.5
FEMALE CENTER CONTACT	BERYLLIUM COPPER	GOLD 1.3 OVER COPPER 2.5
OUTER CONTACT	BRASS	BBR 2
INSULATOR	PTFE	
GASKET	-	
SUBSTRATE	ALUMINA	
RESISTOR	THICK FILM	
OTHERS PARTS	-	

Issue : 0805 C

In the effort to improve our products, we reserve the right to make changes judged to be necessary.

**RADIAL**

**6GHZ 1W 2DB QMA ATTENUATOR****R411.702.124**Series :  
**ATTENUATEUR****ELECTRICAL CHARACTERISTICS**

Frequency (GHz)	2	2-6
V.S.W.R ( $\leq$ )	1.20	1.30
Deviation( $\pm$ dB)	0.3	0.5

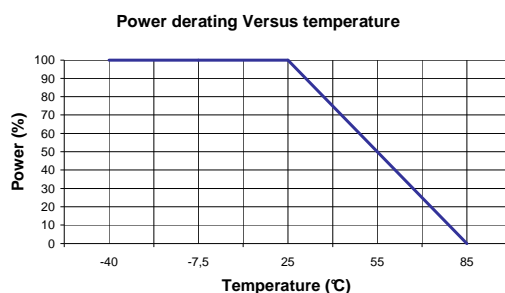
Operating Frequency Range		GHz
Impedance	50	$\Omega$
Nominal Attenuation	2	dB
Peak power at 25°C (1 $\mu$ s, 1%)	100	W
Average power at 25°C	1	W (Free Air Cooled)
		W (Conduction Cooled)

**MECHANICAL CHARACTERISTICS**

Connectors            QMA  
Weight                 6,2600 g

**ENVIRONMENTAL CHARACTERISTICS**

Operating temperature range	-40/+85 °C
Storage temperature range	-40/+85 °C

**SPECIFICATION****OTHER CHARACTERISTICS****Issue : 0805 C**

In the effort to improve our products, we reserve the right to make changes judged to be necessary.

**RADIALL** 